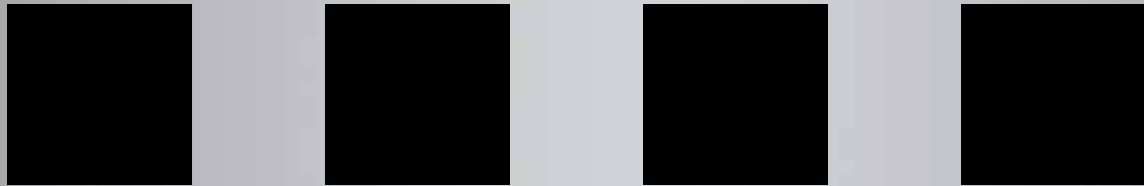


DKL

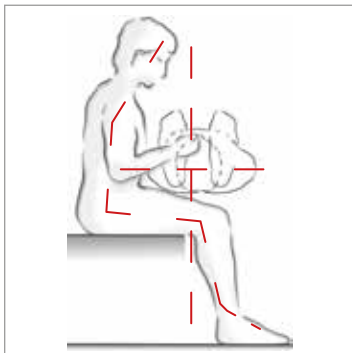


L1

L1-units have an elegant and timeless design. These units thrill with their simple technology and all their functions are easy to control, which allows you to work efficiently. Precise workmanship and top quality ensure maximum operational safety.



L1 - SOLO



Treating patients in a lying position gives you a clear view of the upper and lower jaw. This optimal working posture is ensured by sufficient legroom. Treatment of patients in a lying position offers you an optimal view and, consequently, the best results.



During lower-jaw treatments the patients are positioned horizontally; for treatments in the upper-jaw region the patient's head is slightly stretched backwards. The double-jointed head rest offers stable support for the patient's head at the starting point of the neck muscles. This way the patient is relaxed and does not need to constantly adjust his or her position.



The L1-treatment chairs are available with back rests in two different lengths: 59 cm and 47 cm. We recommend the short version for dentists working on patients who are in a half-sitting position.



The rounded plate at the chair base also serves as a step and thus allows the youngest patients in paediatric dentistry to access the chair easily.



For patients taller than 140 cm this step is not required.

The **L1 model** featuring an adjustable foot not only allows comfortable treatment, including all the tried and tested **L1-concepts**, but the unit can also be used in orthodontics for taking impressions.



L1 - SOLO-FA



Optionally, the unit can be equipped with arm rests. The pluggable arm rest on the doctor's side is easy to remove.



The treatment chair has been designed for working on patients in a lying position; therefore, it is particularly suitable for orthodontic and surgical work as well as for paediatric dentistry. Short and tall patients have an optimal lying position. The head rest can be extracted by 20 cm.



The double-jointed head rest can be moved freely to any position. The soft upholstery of the **L1-units** allows the patient to lie in a relaxed position, even during longer treatments.



With the five programme keys on the back rest, various positions can be stored and activated individually. The joystick at the base of the chair is used to move the chair up or down and adjust the back rest. With a double tap on the joystick the programme functions can be activated.



The foot rest of the chair can be adjusted manually by means of a system of four lock-in positions (5°-70°). This combination is particularly advantageous when planning a practice in rooms with limited space because no extra chair is required for taking impressions.



L1 - ECO-AIR





With the **L1-ECO-AIR** model, the instruments are driven by a simple air-control system. It can be equipped with a 3-function syringe and turbine connections for attaching turbines, air motors, an air scaler and a powder jet device – instruments that are characterized by their durability and sturdiness.



With the **L1-ECO-AIR** model, the instruments and suction tubes are attached to the swivelling doctor's device, which can either be positioned on the doctor's side or on the assistant's side. This concept supports the option of treatment without assistance.



The **L1-ECO-AIR** can be equipped with the doctor's device on a movable base (cart version) or on a swivelling arm without suction tubes.



The movable assistant's device facilitates teamwork. It can be positioned flexibly anywhere between the patient's head and the cuspidor.



To suit your individual needs, with the extractable doctor's devices in a cabinet you can choose between models with or without suction tubes.

L1 - ECO





With the **L1-ECO** model, the instruments are driven via a simple control system. It can be equipped with a 3-function syringe, a turbine connection and a 1,000-40,000 rpm micromotor. The suction tubes are in the doctor's device.



The doctor's device can either be positioned on the doctor's side or on the assistant's side. This concept supports the option of treatment without assistance.



Via the foot starter the instruments are activated and controlled, the spray mist is switched on or off and the motor rotation direction is selected. The respective settings are displayed via LEDs on the doctor's device.



The **L1-ECO** can be equipped with a doctor's device on a swivelling arm, without suction tubes. The doctor's device can either be equipped with two turbine connections and one 1,000-40,000 rpm micromotor or with one turbine as well as two micromotors and a 3-function syringe.



The movable assistant's device facilitates teamwork. It can be positioned flexibly anywhere between the patient's head and the cuspidor.

L1 - S300





With the **L1-S300** model, the focus is on the ergonomic benefits for the person giving treatment. The user interface displays all the treatment functions at a glance. The symbols are self-explanatory. Additionally, the settings can be activated or changed hands-free via the foot starter.



The basic equipment of the doctor's device includes the small and large suction tubes. The doctor's device can be equipped with up to four instruments, a brushless 100-40,000 rpm LED-micromotor, a turbine connection, a Piezo scaler and a function syringe. The EM-12 L electric motor is small but mighty. It is suitable for restoration and prosthetics as well as for endodontics and prophylaxis. The extremely small electric motor is the perfect synergy of ergonomics and performance.



With the convenient hygiene cover it is possible to flush and disinfect the water lines fast and automatically by simply pressing the "clean"-key at the beginning and end of each treatment day.



To suit your individual needs, the extractable doctor's device in a cabinet is offered with suction tubes.

L1 - C600





The **L1-S600** doctor's device is on a swivelling arm and can be optimally positioned for treatment. Additionally, an "ImplantMED" implantology motor (up to 70 N cm) and a peristaltic pump can be integrated into the doctor's devices. Torque and speed are selected via the implantology dialogue. The motor can be sterilized. The endo-function for the EM-12 L motor offers support during root canal preparation. Torque and speed of the files can be controlled via seven programmes.



The doctor's device, available as a cart version (**L1-C600**) or as a swivelling-arm version (**L1-S600**), can be equipped with 6 instruments, brushless 100-40,000 rpm LED-micromotors, a turbine connection, a Piezo scaler and a function syringe. The EM-12 L electric motor is small but mighty. It is suitable for restoration and prosthetics as well as for endodontics and prophylaxis. The extremely small electric motor is the perfect synergy of ergonomics and performance.



The movable assistant's device facilitates teamwork. It can be positioned flexibly anywhere between the patient's head and the cuspidor.



With the convenient hygiene cover it is possible to flush and disinfect the tubing fast and automatically by simply pressing the "clean"-key at the beginning and end of each treatment day.



To suit your individual needs, the extractable doctor's device in a cabinet is available without suction tubes.

L1 - JUNIOR

especially for modern paedodontology



Small Patients – Big Demands

The **Junior** treatment chair for children has been designed so as to make the little patients forget that they are lying on a dental chair. A wide range of cheerful upholstery colours turns the chair into a real eye-catcher and helps the little ones to relax and spend a stress-free time in your practice.



Children are often particularly open to new experiences and feel happy when they are actively involved. Children's natural curiosity and their willingness to cooperate should be promoted. The **Junior** concept meets these requirements perfectly well.

The rounded plate at the chair base also serves as a step and thus allows the youngest patients to access the chair easily. You can have the initial doctor-patient conversation at eye-level, with the patient in a relaxed posture. The back rest of the chair is not adjustable and is in a horizontal position.



After the conversation, the child lies down on the chair without any help and signals that the treatment can begin. This way, the feeling of being "at someone's mercy" does not arise.

Up to this point, the instruments of the doctor's device are well hidden behind a cover so that the patient does not experience any feeling of anxiety. The person giving treatment can now fold back the visual cover and work ergonomically as everything they need is within easy reach.



With the **L1-Junior** model the instruments are driven by a simple air-control system. It can be equipped with a 3-function syringe and up to three turbine connections. Turbines, air motors, an air scaler or a powder jet device can be attached to these connections – instruments that are characterized by their durability and sturdiness.

The height of this treatment unit is electrically adjusted by keys (up/down). Various operating heights allow you to treat your patients in a relaxed sitting and also in a standing position.



Lowest position: 620 mm
Highest position: 850 mm

The easily accessible bottle-care system is an independent water supply for the instruments in accordance with EN1717, providing intensive decontamination of the water lines in the dental unit as well as the removal of biofilm.



For the treatment processed tap water or drinking water can be used. The water lines are disinfected on a weekly basis and during the holiday period.

The unusual design of **DKL treatment units** is not their only captivating feature. The materials used in their production reflect the clinically hygienic state of your practice and thus convey a high degree of practice hygiene. Even after years of intensive use, the smooth stainless-steel surfaces and the thermally disinfestable instrument retainers keep their good looks. They provide no breeding ground for bacteria. With its robust and inert surface, stainless-steel meets the highest demands.



Its resistance to chemical **AND** mechanical strain, combined with effective cleaning and disinfection systems, ensures constant quality, hygiene and aesthetics. Stainless steel sustainably contributes to reducing the risk of infection for patients and practice staff.

You place great emphasis on germ-free surfaces? – We have just what you need!

Hygiene



The thermally disinfectable instrument retainers are easy to remove, which increases the protection from cross-contamination for both your practice team and your patients.



With the convenient hygiene cover it is possible to flush and clean the water lines fast and automatically by simply pressing the "clean"-key at the beginning and end of each treatment day.



The cuspidor with its bowl made of stainless steel and glass meets all hygiene requirements. The bowl and the filter are easy to clean and the cup holder can be removed for cleaning.



The filters for the suction tubes are easily accessible and convenient to clean.



The maintenance-free bottle-care system is an independent water supply for the instruments and the cup filler in accordance with EN 1717, providing intensive decontamination of the water lines in the dental unit as well as the removal of biofilm. For the treatment processed tap water or drinking water can be used. The water lines are disinfected on a weekly basis and during the holiday period.

Alternatively, and in accordance with EN 1717 and EN 13077, the units can be equipped with an automatic water decontamination system separating the service water from the public water supply. This system minimizes the formation of biofilm in the water lines of the dental unit. The materials used for the tubing comply with the RKI directive according to the German DVGW code of practice W270.



The ergonomic concept can be rounded off by some additional features. The extremely flat and freely positionable tray enables optimal work processes. The **LED.light** and **D.light** operating lamps guarantee a perfect view of the operating area.

The dimmable **LED.light** thrills with its light intensity (8,000-50,000 LUX with a colour temperature of 5,000 Kelvin) and its even light field. Its handles can be removed to be sterilised. Additionally, the lamp can be equipped with a mirror.

Small but fine: The **D.light** operating lamp captivates with its filigree design. It is available as a ceiling or unit model. Two brightness levels can be selected for the halogen lamp. The protective cap on the handle can be removed for sterilization. Optionally, a mirror can be attached.

Light intensity: > 24,000 LUX,
Colour temperature: 5,000 Kelvin





In the chair base, optional connections for water and air can be selected for external devices. The standard equipment includes a 230V max. 3A socket.



The doctor's device can be equipped with an adjustable air connection (up to 5.5 bars) and with a rapid action hose coupling, for example for a powder jet device.



An additional retainer, for example for a powder jet device, can be attached to the doctor's device.



The holder at the tray is a practical accessory for attaching a waste-cup.



All-in-one PC attached to the treatment unit. On request we can supply you with just the holder, compliant with VESA-standard.



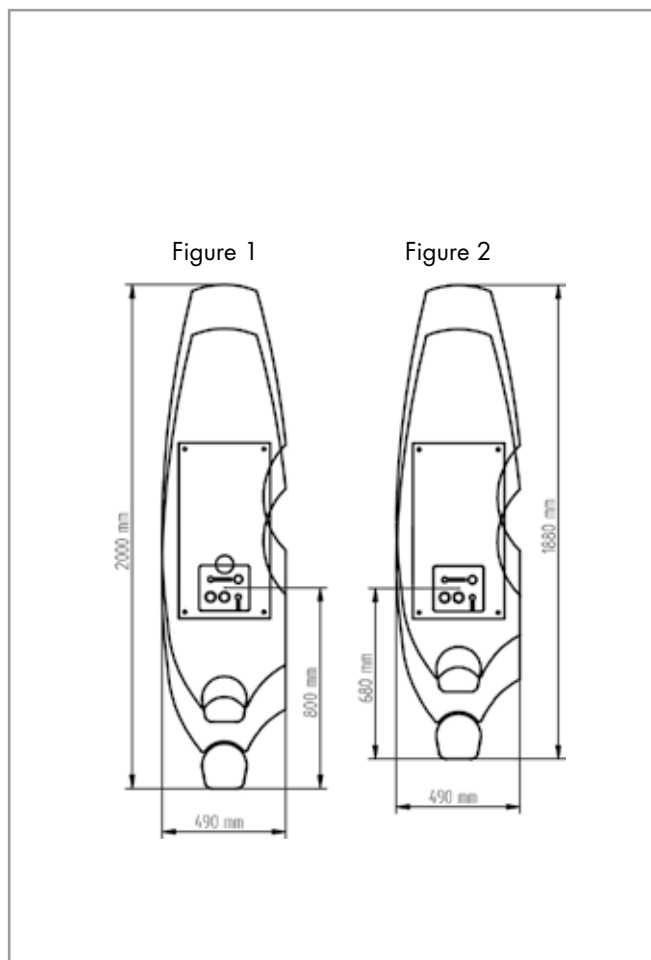
The doctor's/assistant's chair with manual release features an anatomically shaped edge of the seat, thus automatically providing comfortable seating. The rotatable back rest can also be used as an arm rest. The chair is available in two different heights: 54-73 cm and 46-58 cm.

The comfort upholsteries of our **ProLine**, **TrendLine** and **FashionLine** collection are produced in more than sixty attractive colours. There is something for everyone! The high-grade materials are processed on soft foam and thus guarantee your patients highest comfort.



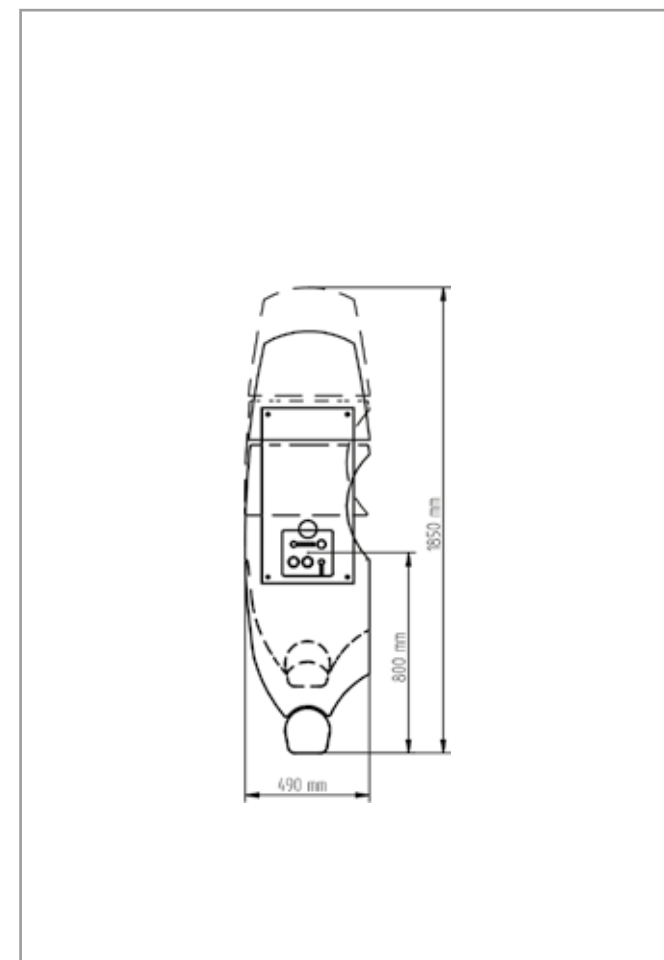
L1-Units

Ideal



This dimension sheet shows the **L1-SOLO** model with a long back rest (figure 1) and the **L1-SOLO** model with a short back rest (figure 2).

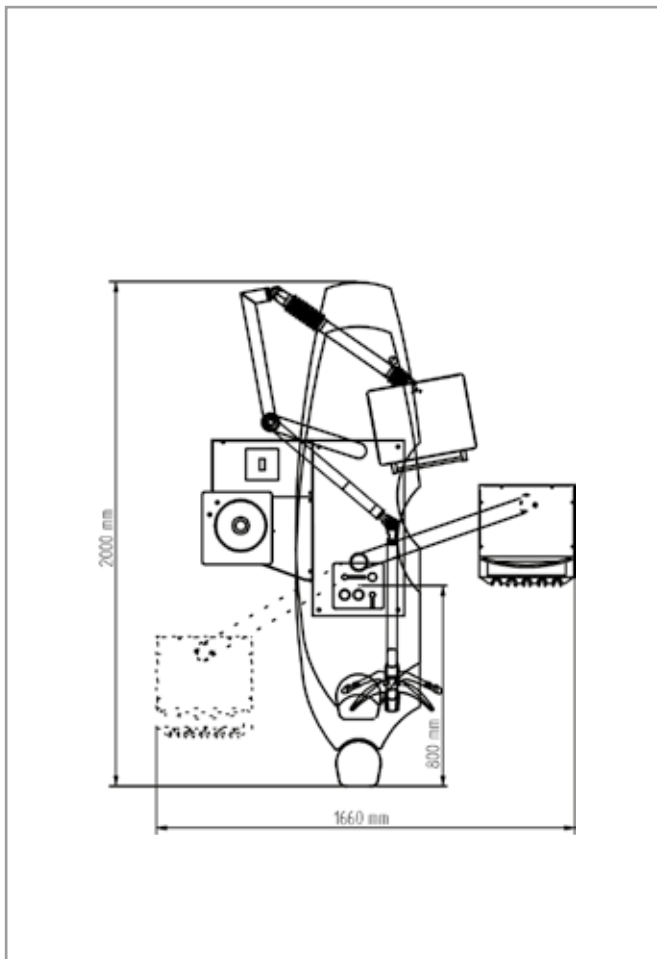
Lowest position: 570 mm
Highest position: 800 mm



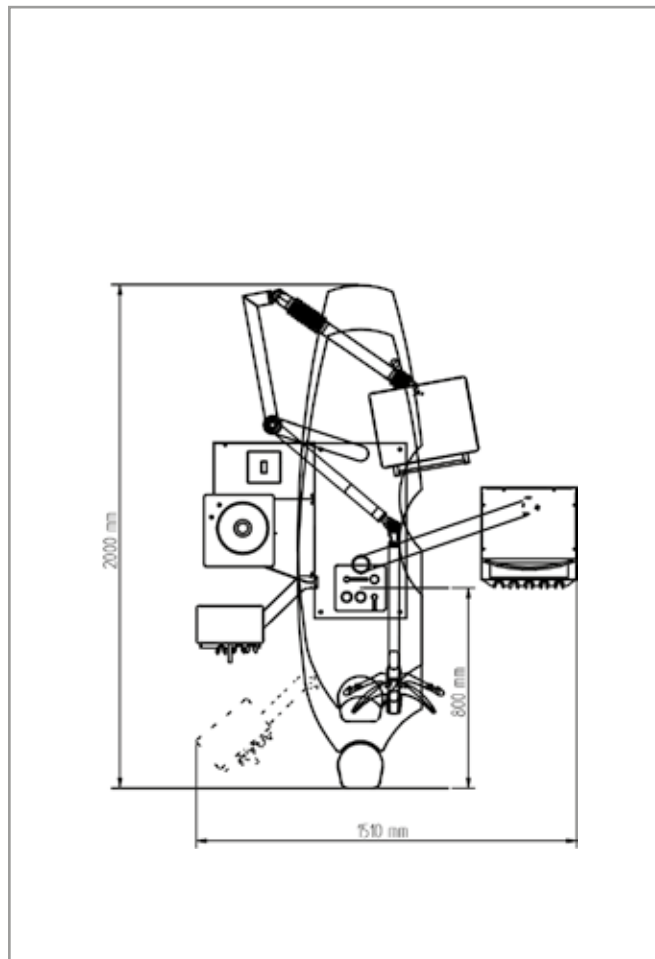
The **L1-SOLO** model with a foldable foot rest is only available with a long back rest.

Lowest position: 570 mm
Highest position: 800 mm

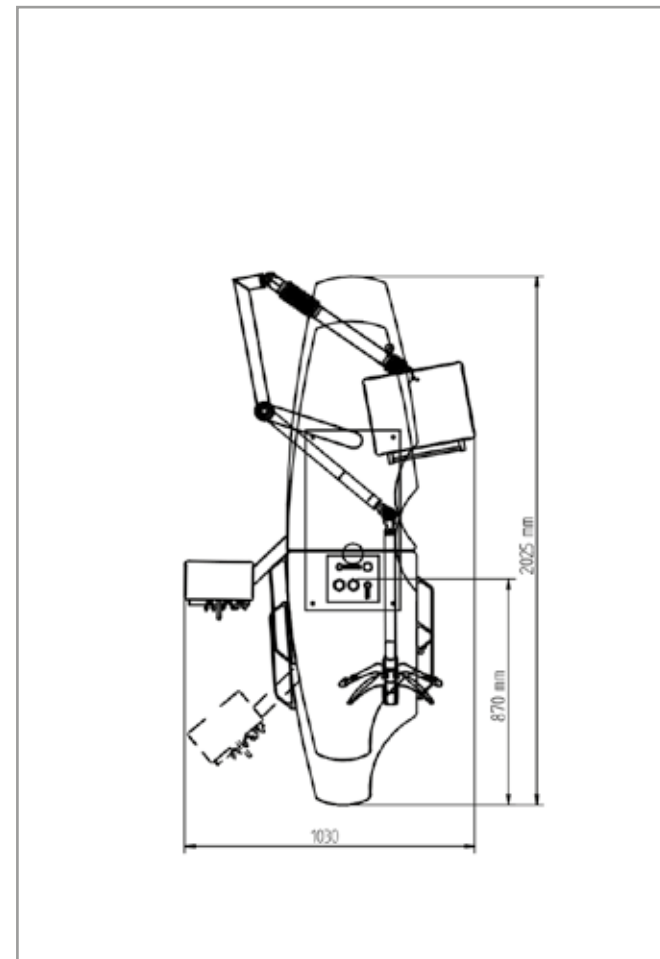
for the Smallest Rooms



Dimension sheet for the **L1-ECO AIR**, **L1-ECO** and **L1-S300** models. The doctor's device with integrated suction tubes can be swivelled to the doctor's or the assistant's side.
 Lowest position: 570 mm
 Highest position: 800 mm



Dimension sheet for the **L1-S600**, **L1-ECO** and **L1-ECO-AIR** models with an assistant's device.
 Lowest position: 570 mm
 Highest position: 800 mm

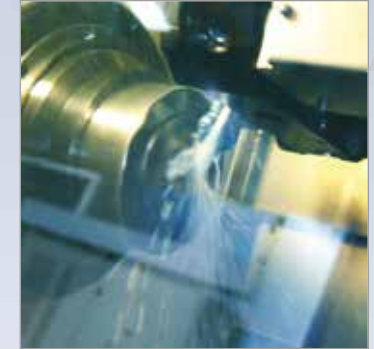


L1-Junior
 Lowest position: 620 mm
 Highest position: 850 mm

High-grade materials for high-grade products

Made in Germany – This seal of quality stands for products of outstanding value and quality and we maintain these high quality standards. In manufacturing our treatment units we use high-grade and sturdy materials. The units are exclusively developed and manufactured in Rosdorf near Göttingen.

Made in Germany



DKL CHAIRS GmbH

An der Ziegelei 1+3 · D-37124 Rosdorf

Fon +49 (0)551-50 06 0

Fax +49 (0)551-50 06 296

www.dkl.de · info@dkl.de

