



S100 / OPMI pico

# **OPMI pico from ZEISS**

Quality you can see.  
Performance you can feel.

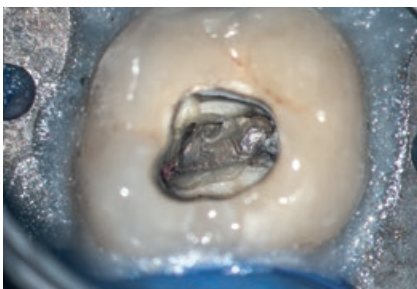




#### **Restorative dentistry**

Quickly detect enamel and dentine fractures as well as approximal caries. High-precision views enable accurate assessment of crown edges, preparation levels and veneers.

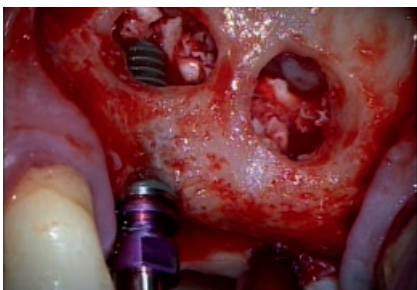
› Application image courtesy of  
Dr. Wolfgang Gäsler, Illertissen, Germany



#### **Endodontics**

Visualize fine anatomical structures and details of root canals and isthmuses. The visibility provides a clear view down to the apex.

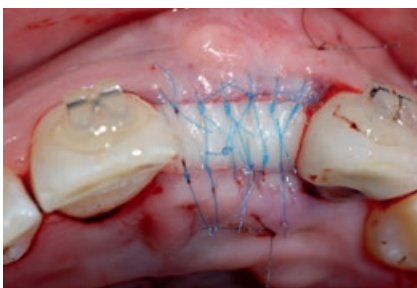
› Application image courtesy of  
Oscar Freiherr von Stetten, Stuttgart, Germany



#### **Implantology**

Conduct high-precision examinations and implant treatments quickly and confidently. Reliably detect important anatomical structures.

› Application image courtesy of  
Dr. Behnam Shakibaie, Tehran, Iran



#### **Periodontics**

Benefit from support for soft-tissue evaluation and management to aid healing, low scarring and improved cosmetic outcomes.

› Application image courtesy of  
Dr. Rino Burkhardt, Zurich, Switzerland



## **ZEISS OPMI pico** Quality you can see

OPMI® pico from ZEISS makes details and fine structures clearly visible. It enables you to better visualize the regions of interest and consistently provide your patients with high-quality examinations and treatments.

The compact, high-performing, easy-to-use ZEISS OPMI pico offers solid support for even the most demanding applications – whether in restorative dentistry, endodontics, implantology or periodontics.

ZEISS OPMI pico's cost-effective illumination options offer solutions for all dental specialities, also meeting your standards and needs. Complete integration of the light source makes it easier to clean the system.

Highly ergonomic functions enable various users to conveniently adjust the focal length while maintaining their preferred working posture.

ZEISS OPMI pico also features camera options to facilitate patient consultation and documentation, depending on the specific needs in your practice.



## For a better view

ZEISS OPMI pico enables you to visualize high-contrast, true-color images – the key to improving the quality of the examination and treatment.

With ZEISS OPMI pico, optics and illumination go hand in hand.



### **View the whole mouth**

*The Varioskop® 100 objective lens allows you to adjust the focal length over a large range (100 mm) to focus on virtually any image detail – large or small – from the entire mouth down to fine anatomical structures.*

### **Better overview**

*The large field of view lets you visualize the entire oral cavity – providing a more comprehensive view and improved orientation of the horizontal axis.*

# Illumination for dentistry

The choice is yours:

ZEISS OPMI pico is available with halogen, LED and xenon



### **Halogen for standard applications**

For all standard applications and routine examinations in your daily practice.



### **LED for premium applications**

For color rendition and light that strongly resembles natural daylight. It is a very cost-effective and virtually maintenance-free light source. The very low heat output requires minimal ventilation and generates very low noise levels.



### **Xenon for premium plus applications**

For highest demands and professional documentation, the shadowless illumination puts light exactly where it is needed. Even root canals are perfectly illuminated and imaged.



### **Wide-field eyepieces provide a large field of view with a 3D image**

Special diopter settings also make them suitable for eyeglass wearers.



### **More time for one treatment**

Orange filter prevents premature curing.

› Application image courtesy of  
Dr. Wolfgang Gänslar, Illertissen, Germany



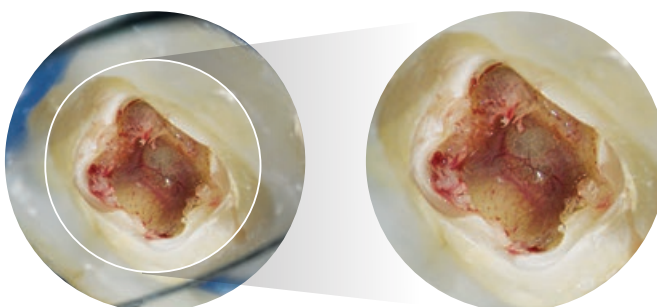
### **Full overview of fine details**

ZEISS OPMI pico delivers high-quality images at every magnification level.

### **Full overview – from optimum to maximum**

The Foldable Tube f170/f260 boosts 150% detail magnification with the PROMAG™ function.

› Application image courtesy of  
Dr. Bijan Vahedi, Augsburg, Germany





## For better ergonomics

A stiff neck, a sore back – things you experience all too often after a hard day's work. With ZEISS OPMI pico and features like the Varioskop 100, MORA interface, 180° tiltable tube, Foldable Tube f170/f260 and the specially tailored ergonomic handgrips, these are all a thing of the past.

You can sit comfortably in an upright, ergonomically correct position during treatment for a more relaxed working day.



### **More comfort**

Varioskop 100 enables users to conveniently adjust the focal length without leaving their preferred working position – a true advancement that helps prevent neck strain and back problems.

### **Greater depth**

Varioskop's adjustment knob allows you to adapt the focal length over a large distance to focus on the whole mouth as well as minute details in the vertical axis – without moving the ZEISS OPMI pico.

### **Adjust the ZEISS OPMI pico to you and not vice versa**

Reduce or increase the distance for the required treatment field as needed with the patented multi-link design of the Foldable Tube f170/f260. With its long reach, this highly flexible system easily accommodates the needs of the user and different positions of the patient.



### **Ergonomic design in your hands**

Adjustable connectors make it possible to individually arrange the handgrips. Ergonomically correct angles for dental treatments are provided.

### **Comfortable overview**

The MORA interface allows you to maintain a comfortable upright viewing position at all times, regardless of the angle of the system. You'll never have to take your eyes off your patient.





## To create more trust

Real-life pictures are very convincing. ZEISS OPMI pico can accommodate a full HD video camera, allowing you to present patients with high-definition material to explain procedures. In addition, the recordings provide you with an impressive means of presenting your results at conferences. Recordings can be used either to teach anatomy and procedures or to simply document work in HD quality.

### Presentation at conferences



### Integrated camera advantages

- The integrated full HD video camera delivers images with high definition and differentiation of details
- All functional elements are completely integrated into the system to avoid workspace clutter
- Conveniently fine-tune images with single button operation of the integrated video control console
- Ready for use when ZEISS OPMI pico is switched on
- Supports co-observation and documentation
- Simplified cleaning of the housing



# Integrated HD video camera

The choice is yours.

Depending on your specific practice needs, you can choose between three integrated HD video camera versions for intuitive handling and direct access to the most important features on the control board:

## ■ HD-ready 720p

Live video quality

## ■ Full HD 1080p

Meets even the highest demands in live video quality

## ■ Live & streaming (Full HD 1080p) with recording license

- 1 Stream live video into the network for viewing through various devices.
- 2 Smart Recording: retroactively record video that occurred in the previous 30 seconds.
- 3 Record onto shared network or USB device as well as facilitate easy transfer of still images and HD videos to patient management software.
- 4 Create Full HD images during recording or from a recorded video.



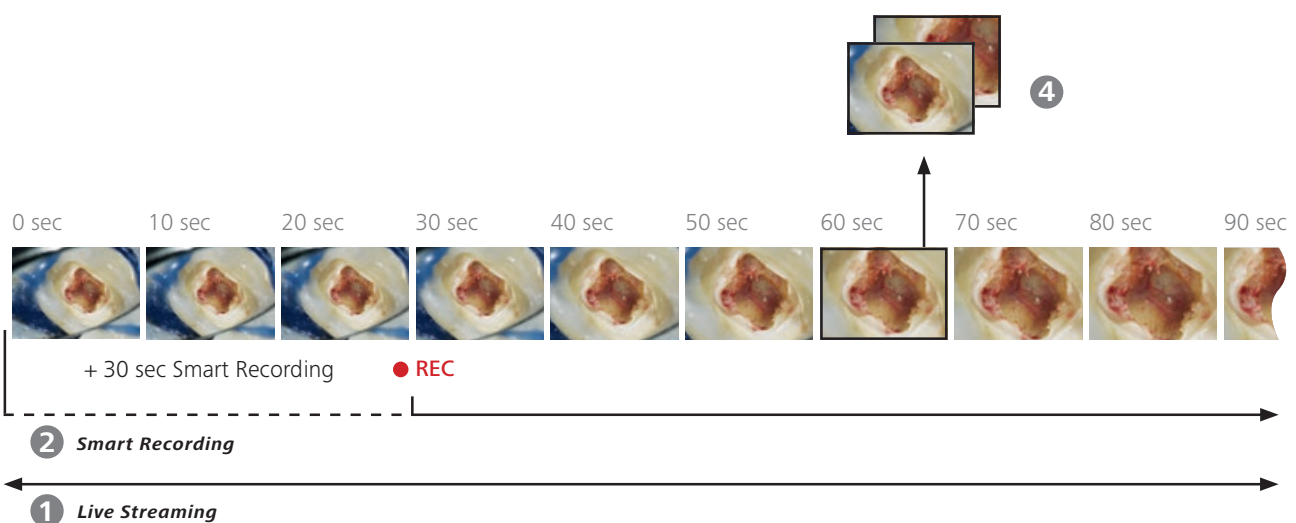
HD-ready 720p image

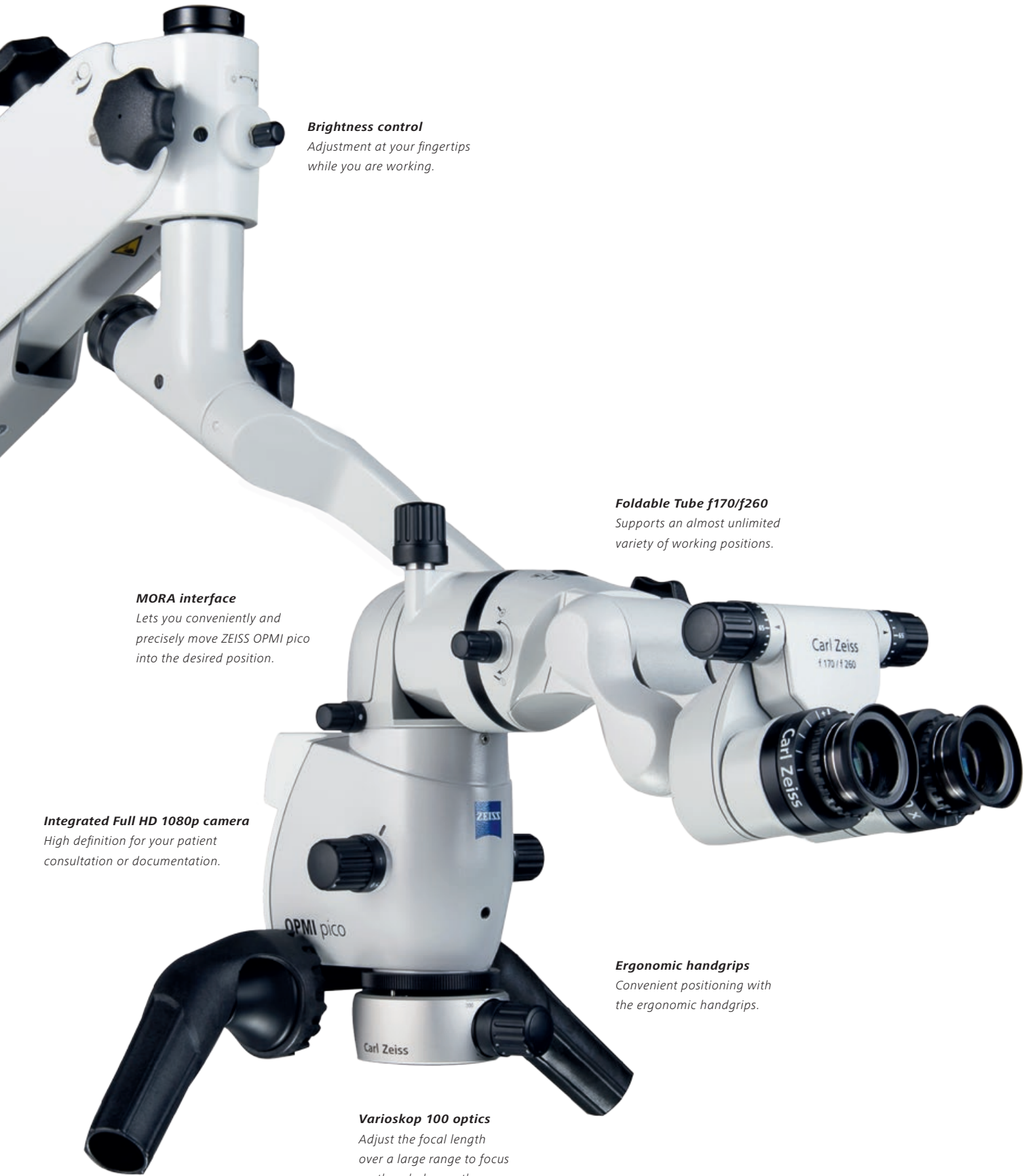


Full HD 1080p image



- 3 Easy transfer of still images and HD videos  
› Application image courtesy of  
Dr. Bijan Vahedi, Augsburg, Germany





**Brightness control**  
Adjustment at your fingertips  
while you are working.

**Foldable Tube f170/f260**  
Supports an almost unlimited  
variety of working positions.

**MORA interface**  
Lets you conveniently and  
precisely move ZEISS OPMI pico  
into the desired position.

**Integrated Full HD 1080p camera**  
High definition for your patient  
consultation or documentation.

**Ergonomic handgrips**  
Convenient positioning with  
the ergonomic handgrips.

**Varioskop 100 optics**  
Adjust the focal length  
over a large range to focus  
on the whole mouth or  
minute details.

## For better integration

A highly compact instrument with a small footprint, ZEISS OPMI pico fits seamlessly into virtually any practice workflow environment. Simply plug in the cable, switch the power on, and the ZEISS OPMI pico is ready for use.

### Integrated light source

In addition to LED, ZEISS OPMI pico is also available with integrated halogen and xenon illumination. Control the brightness at your fingertips while you are working.

### Intuitive video adjustment

Conveniently operate images with single button operation of the integrated video control console. Once the power is on, ZEISS OPMI pico is ready for recording, documentation and communication.

### Complete integration of technology and design in the suspension arm for well-balanced architecture

Functional elements such as the video control console, HD video camera, cables, light sources and light guides are completely integrated into the stand to avoid workspace clutter.

### Workplace integration

ZEISS OPMI pico is compatible with a large variety of dental treatment units from other manufacturers.



*ZEISS OPMI pico is ideally integrated into the practice environment*

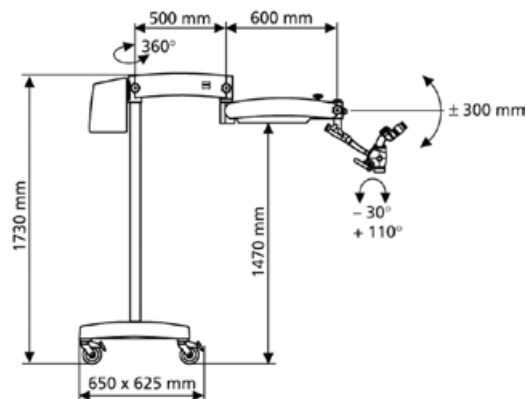
› Soaric treatment unit  
image courtesy of Morita

# Technical data

## S100/OPMI pico from ZEISS

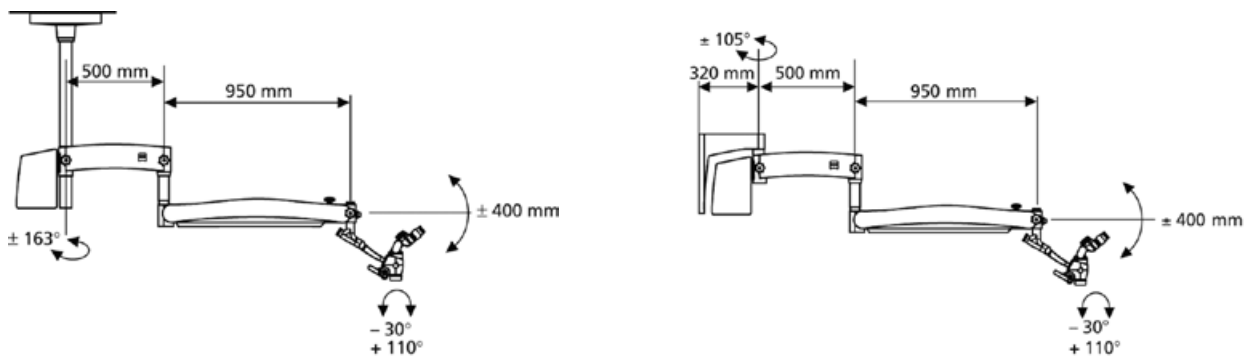
### Basic configuration

Magnification system	Manual apochromatic magnification changer
Eyepieces	12.5x wide-field eyepieces; also suitable for eyeglass wearers
Tubes	Inclined 45° binocular tube, f=170 mm
Focus	f=250 mm, focusable
Illumination system	Halogen illumination
Handgrip	Standard handgrip
Mount mobility	120° coupler
Suspension system	Floor stand



## Configuration options

Eyepieces	<ul style="list-style-type: none"> <li>■ 10x wide-field eyepieces with and without reticle; also suitable for eyeglass wearers</li> <li>■ 12.5x wide-field eyepieces with reticle</li> </ul>
Tubes	<ul style="list-style-type: none"> <li>■ 180° tiltable tube, f=170</li> <li>■ Foldable Tube f170/f260 with PROMAG function boosts to 150% detail magnification</li> </ul>
Focus	<ul style="list-style-type: none"> <li>■ Varioskop 100, focusable working distance 200–300 mm</li> <li>■ f=200 mm, focusable</li> <li>■ f=300 mm, focusable</li> </ul>
Illumination system	LED or Xenon illumination
Handgrips	<ul style="list-style-type: none"> <li>■ Comfort handgrips</li> <li>■ Front handgrips</li> <li>■ T-handgrip</li> </ul>
Mount mobility	<ul style="list-style-type: none"> <li>■ MORA interface without 120° coupler</li> <li>■ MORA interface with 120° coupler</li> </ul>
Suspension system	<ul style="list-style-type: none"> <li>■ Ceiling mount</li> <li>■ Wall mount (wallplate)</li> <li>■ Centro mount</li> <li>■ Support unit</li> </ul>



## Accessory options

Integrated video camera	<ul style="list-style-type: none"> <li>■ HD-ready 720p</li> <li>■ Full HD 1080p</li> <li>■ Live &amp; streaming (Full HD 1080p) with recording license</li> <li>■ Cables</li> <li>■ HD monitors</li> </ul>
External video solutions	<ul style="list-style-type: none"> <li>■ Adapter for single lens reflex cameras</li> <li>■ FlexioStill™ adapter for digital cameras</li> <li>■ FlexioMotion™ adapter for digital camcorders</li> </ul>
Asepsis	<ul style="list-style-type: none"> <li>■ Splash protection for the objective lens</li> <li>■ VisionGuard® drapes for sterile work environment</li> </ul>
Optics	Double iris diaphragm to increase the depth of field
Others	Instrument tray on floor stand

# Seeing without compromises.

ZEISS OPMI pico



// PRECISION  
MADE BY ZEISS





**Carl Zeiss Meditec AG**  
Goeschwitzer Strasse 51–52  
07745 Jena  
Germany  
[www.zeiss.com/med/contacts](http://www.zeiss.com/med/contacts)  
[www.zeiss.com/opmi-pico](http://www.zeiss.com/opmi-pico)

**EN\_30\_010\_0186VI** SUR.5293 Rev E Printed in Germany AW-CZ-II/2017 U00  
The contents of the brochure may differ from the current status of approval of the product in your country. Please contact our regional representative for more information. Subject to change in design and scope of delivery and as a result of ongoing technical development. OPMI, Varoskop, VisionGard, PROMAG, FlexioStill and FlexioMotion are either trademarks or registered trademarks of Carl Zeiss Meditec AG. © Carl Zeiss Meditec AG, 2016. All copyrights reserved.