



DKL.
YOUR DENTAL UNIT

**DESIGN
MEETS
FUNCTION**

CONTENTS

| APPLIED PARTS AT THE DOCTOR'S DEVICE | | 30 - 35 |
|--------------------------------------|--|---------|
| EM-12 L micromotor | | 30 |
| Standard turbine connection | | 30 |
| Advanced-Air turbine | | 31 |
| EM-19 LC Implantmed surgical motor | | 32 |
| Proxeo Ultra PB-5 L piezo scaler | | 33 |
| Touchscreen control unit | | 34 - 35 |

| ERGONOMICS CONCEPTS | | 36 |
|---------------------|--|----|
|---------------------|--|----|

| HYGIENE | | 37 - 38 |
|--------------------|--|---------|
| Automatic flushing | | 37 |
| Water treatment | | 37 |
| Surfaces | | 38 |
| Instrument holders | | 38 |

| OPTIONAL EQUIPMENT | | 39 - 41 |
|----------------------------------|--|---------|
| Operating lamp | | |
| Height-adjustable tray | | 39 |
| Waste receptacle holder | | 39 |
| Arm rests | | |
| Monitor + holder | | |
| Sand blaster | | 40 |
| Coolant pump | | |
| Colour versions equipment casing | | |
| Doctor's/assistant's chair | | 41 |
| External device connections | | 41 |
| Colour collections | | |

| TECHNICAL SKETCHES | | 42 - 43 |
|--------------------|--|---------|
|--------------------|--|---------|



Advanced-Air turbine

INSTRUMENTS PAGES 30 - 35



HYGIENE PAGES 37 - 38

OPTIONAL EQUIPMENT PAGES 39 - 41



MODEL RECOMMENDATION

DEPENDING ON THE FIELD OF APPLICATION

| Dentist | Orthodontist | Surgery | Prophylaxis | Model | Page |
|---------|--------------|---------|-------------|-----------------------|---------|
| | | | | | |
| • | - | • | - | D2-RANGE | |
| - | - | - | • | D2-SOLO | 6 - 7 |
| • | - | • | - | D2-PROPHYLAXIS | 8 - 9 |
| • | - | • | - | D2-EP | 10 - 11 |
| • | - | • | - | D2-EC | 12 - 13 |
| • | - | • | - | D2-ASTRUM | 14 - 15 |
| • | - | • | - | D2-AVEO | 16 - 17 |
| | | | | L2-RANGE | |
| - | • | • | - | L2-SOLO | 18 - 19 |
| - | • | - | - | L2-ECO-AIR | 20 - 21 |
| - | • | - | - | L2-ECO | 22 - 23 |
| - | • | - | - | L2-S300 | 24 - 25 |
| - | • | • | - | L2-S600 | 26 - 27 |
| - | • | • | - | L2-C600 | 28 - 29 |



D2-RANGE FROM PAGE 6



L2-RANGE FROM PAGE 18

DKL CHAIRS: IN PERFECT BALANCE

With our passion for design and technology we inspire and enthuse dentists, surgeons and orthodontists all over the world. With the combination of comprehensive know-how and over 33 years of experience we make sure that our products are not only aesthetically designed, but also make your working life considerably easier.

OUR ELEMENT: THE PERFECT EQUIPMENT

DKL-dental units are the result of a perfect balance of elegant design and outstanding functionality - responsibly produced from high-quality durable materials. Our products are developed and manufactured in Göttingen, in the middle of Germany.

FUTURE-ORIENTED AND INNOVATIVE

As an independent medium-sized company we have always been working in a forward-looking manner. This is how DKL has developed from an innovative service provider for dentists to an integrated system provider for complex dental units. In cooperation with W&H Dentalwerk Bürmoos GmbH, we bundle our unique know-how and have thus secured a leading position in the field of innovation capability.

WE TAKE OUR NETWORKED KNOWLEDGE EXACTLY WHERE IT BELONGS: TO YOUR PRACTICE.

As visitors or training participants, you have the opportunity to obtain comprehensive advice in our exhibition area of more than 300 sqm right next to our production halls.

QUALITY HYGIENE AESTHETICS

IN PERFECT BALANCE

MATERIALS FOR SAFE HYGIENE

Besides their extremely elegant design aspects, our main materials, stainless steel and glass, also guarantee uncompromising and reliable hygiene through their chemically and mechanically resistant surfaces.

The passive layer of stainless steel is not vulnerable to attack by acids or alkalis so that no interactions between surfaces and cleaning agents occur.

Combined with effective cleaning systems, both types of surface ensure compliance with the highest hygiene standards and keep their good looks even after years of intensive use.



We develop and manufacture our units in Germany

Quality management in accordance
with EN ISO 13485:2016



Equipment **STANDARD**

- Stainless-steel structure
- Comfort upholstery
- Low-noise chair movement with soft start and stop
- 5 chair positions can be stored
- Automatically folding leg rest for easy entry and exit of the patient



Equipment **OPTIONAL**

- Left and/or right arm rest
- Height-adjustable tray
- LED operating lamp

D2-SOLO

Automatically folding leg rest for easy entry and exit of the patient



PURE DESIGN FOR EFFICIENT WORK



DETAILS OPTIONAL EQUIPMENT

Height-adjustable tray; storage for two standard trays



Foldable left and right arm rests



DETAILS STANDARD EQUIPMENT

Double-jointed head rest can be moved freely to any position



4-way joystick for moving the treatment chair



Push-buttons for five treatment programmes



Equipment STANDARD

- Stainless-steel structure
- Comfort upholstery
- Low-noise chair movement with soft start and stop
- 5 chair positions can be stored
- Automatically folding leg rest for easy entry and exit of the patient
- Air-powered doctor's device with integrated suction system on a swivelling arm
- Cuspidor as a stainless-steel column with
 - Water treatment with water separation unit in accordance with EN 1717 and EN 7494-2

D2-PROPHYLAXIS



This model optimises the ergonomic treatment without assistance in prophylaxis. The doctor's device can be positioned both on the dentist's and the assistant's side and has a swivel range of 229°.



Equipment OPTIONAL

- Left and/or right arm rest
- LED operating lamp
- Integrated dry or wet suction system



CONFIGURATION

at the D2-PROPHYLAXIS doctor's device

| Page | Available | Applied part |
|---------|-----------|-----------------------------|
| 34 / 35 | - | Touchscreen |
| 30 | • | Standard turbine connection |
| 31 | - | Advanced-Air turbine |
| 30 | - | EM-12 L micromotor |
| 33 | - | Piezo scaler |
| - | • | 3-function syringe |
| 32 | - | Implantmed |
| - | • | Saliva ejector |
| - | • | Spray mist suction |



Pneumatic foot controller



Equipment **STANDARD**

- Stainless-steel structure
- Comfort upholstery
- Low-noise chair movement with soft start and stop
- 5 chair positions can be stored
- Automatically folding leg rest for easy entry and exit of the patient
- Doctor's device with touchscreen on a travel track
- Cuspidor as a stainless-steel column with
 - Water treatment with water separation unit in accordance with EN 1717 and EN 7494-2
 - Swivelling assistant's device with saliva ejector and spray mist suction device
- Wireless foot controller



Surgical unit
Info on page 32

D2-EP



Equipment **OPTIONAL**

- Left and/or right arm rest
- Height-adjustable tray
- LED operating lamp
- Motorised travel track
- 3-function syringe in the assistant's device
- 2nd saliva ejector in the assistant's device
- Integrated dry or wet suction system



CONFIGURATION
at the D2-EP doctor's device

| Page | Available | Applied part |
|---------|-----------|-----------------------------|
| 34 / 35 | • | Touchscreen |
| 30 | • | Standard turbine connection |
| 31 | • | Advanced-Air turbine |
| 30 | • | EM-12 L micromotor |
| 33 | • | Piezo scaler |
| - | • | 3-function syringe* |
| 32 | • | Implantmed |

* Mounted optionally on left or right side



Wireless foot controller

TRAVEL TRACK with manual adjustment in the **standard version**..

Optionally, a **MOTORISED TRAVEL TRACK** brings your instruments within easy reach at the tap of a foot.



Equipment
STANDARD

- Stainless-steel structure
- Comfort upholstery
- Low-noise chair movement with soft start and stop
- 5 chair positions can be stored
- Automatically folding leg rest for easy entry and exit of the patient
- Doctor's device with touchscreen on a freely movable base
- Cuspidor as a stainless-steel column with
 - Water treatment with water separation unit in accordance with EN 1717 and EN 7494-2
 - Swivelling assistant's device with saliva ejector and spray mist suction device
- Wireless foot controller

D2-EC

Doctor's device on a freely movable base for flexible positioning



Equipment
OPTIONAL

- Left and/or right arm rest
- Height-adjustable tray
- LED operating lamp
- 3-function syringe in the assistant's device
- 2nd saliva ejector in the assistant's device
- Integrated dry or wet suction system



CONFIGURATION
at the D2-EC doctor's device

| Page | Available | Applied part |
|---------|-----------|-----------------------------|
| 34 / 35 | • | Touchscreen |
| 30 | • | Standard turbine connection |
| 31 | • | Advanced-Air turbine |
| 30 | • | EM-12 L micromotor |
| 33 | • | Piezo scaler |
| - | • | 3-function syringe* |
| 32 | • | Implantmed |

* Mounted optionally on left or right side



Surgical unit
Info on page 32

implantmed



Wireless foot controller



Equipment STANDARD

- Stainless-steel cuspidor
- Comfort upholstery
- Low-noise chair movement with soft start and stop
- 5 chair positions can be stored
- Automatically folding leg rest for easy entry and exit of the patient
- Doctor's device with touchscreen as a floating table
- Cuspidor as a stainless-steel column with
 - Water treatment with water separation unit in accordance with EN 1717 and EN 7494-2
 - Extractable assistant's device with saliva ejector and spray mist suction
- Wireless foot controller



Surgical unit
Info on page 32

D2-ASTRUM



The adjustable height of the treatment chair ranges from 370 to 880 mm. This model is particularly suited for giving treatment in a standing position.



Equipment OPTIONAL

- Left and/or right arm rest
- LED operating lamp
- 3-function syringe in the assistant's device
- Integrated dry or wet suction system



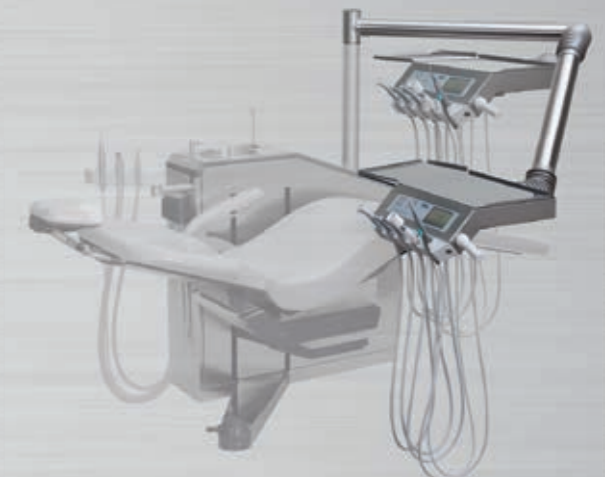
CONFIGURATION at the D2-ASTRUM doctor's device

| Page | Available | Applied part |
|---------|-----------|-----------------------------|
| 34 / 35 | • | Touchscreen |
| 30 | • | Standard turbine connection |
| 31 | • | Advanced-Air turbine |
| 30 | • | EM-12 L micromotor |
| 33 | • | Piezo scaler |
| - | • | 3-function syringe* |
| 32 | • | Implantmed |

* Mounted optionally on left or right side



Wireless foot controller




Doctor's device with a tray as a floating table. Height adjustment pneumatically controlled.



Equipment STANDARD

- Stainless-steel cuspidor
- Comfort upholstery
- Low-noise chair movement with soft start and stop
- 5 chair positions can be stored
- Automatically folding leg rest for easy entry and exit of the patient
- Doctor's device with touchscreen on a freely movable base
- Cuspidor as a stainless-steel column
 - Water treatment with water separation unit in accordance with EN 1717 and EN 7494-2
 - Extractable assistant's device with saliva ejector and spray mist suction
- Wireless foot controller



Surgical unit
Info on page 32 

D2-AVEO



The adjustable height of the treatment chair ranges from 370 to 880 mm. This model is particularly suited for giving treatment in a standing position.



Equipment OPTIONAL

- Left and/or right arm rest
- Height-adjustable tray
- LED operating lamp
- 3-function syringe in the assistant's device
- Integrated dry or wet suction system



CONFIGURATION at the D2-AVEO doctor's device

| Page | Available | Applied part |
|---------|-----------|-----------------------------|
| 34 / 35 | • | Touchscreen |
| 30 | • | Standard turbine connection |
| 31 | • | Advanced-Air turbine |
| 30 | • | EM-12 L micromotor |
| 33 | • | Piezo scaler |
| - | • | 3-function syringe* |
| 32 | • | Implantmed |

* Mounted optionally on left or right side



Wireless foot controller

Extractable assistant's device





Equipment
STANDARD

- Stainless-steel structure
- Comfort upholstery
- Low-noise chair movement with soft start and stop
- 5 chair positions can be stored
- Optional versions with short or long back rest



Equipment
OPTIONAL

- Left and/or right arm rest
- Height-adjustable tray
- LED operating lamp

L2-SOLO



Optional back rest versions long (590 mm) or short (470 mm)

ENDLESS TREATMENT SPACE



DETAILS OPTIONAL EQUIPMENT

Height-adjustable tray; storage for two standard trays



Option: arm rests either on the dentist's or the assistant's side



4-way joystick for moving the treatment chair

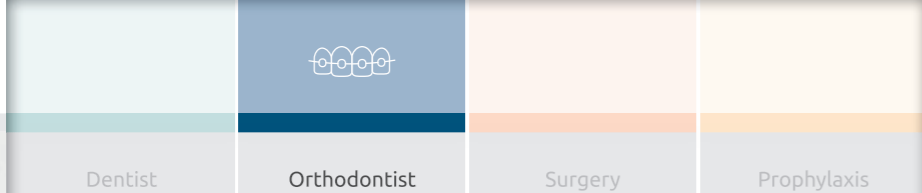


Push-buttons for five treatment programmes

DETAILS STANDARD EQUIPMENT

Double-jointed head rest can be freely positioned





Equipment
STANDARD

- Stainless-steel structure
- Comfort upholstery
- Low-noise chair movement with soft start and stop
- 5 chair positions can be stored
- Optional versions with short or long back rest
- Air-powered doctor's device on a swivelling arm
 - With integrated suction system or
 - Without integrated suction system



L2-ECO-AIR



Equipment
OPTIONAL

- Left and/or right arm rest
- Height-adjustable tray
- LED operating lamp
- Cuspidor as a stainless-steel column with
 - Bottle care system or
 - Water treatment with water separation unit in accordance with EN 1717 and EN 7494-2*
- Extractable assistant's device with saliva ejector and spray mist suction
- 3-function syringe in the assistant's device
- 2nd saliva ejector in the assistant's device
- Integrated dry or wet suction system*

* Only available with cuspidor

Swivel ranges
by version:

- with assistant's device: 139°
- with cuspidor: 237°
- without cuspidor: 270°



CONFIGURATION
at the L2-ECO-AIR doctor's device

| Page | Available | Applied part |
|---------|-----------|-----------------------------|
| 34 / 35 | - | Touchscreen |
| 30 | • | Standard turbine connection |
| 31 | - | Advanced-Air turbine |
| 30 | - | EM-12 L micromotor |
| 33 | - | Piezo scaler |
| - | • | 3-function syringe |
| 32 | - | Implantmed |
| - | •* | Saliva ejector |
| - | •* | Spray mist suction |

Only available for doctor's device with suction system.
See photo on the right:

Doctor's device with suction system



Pneumatic foot controller

Doctor's device without suction system



Option: extractable assistant's device



D2-SOLO
D2-PROPHY-LAXIS
D2-EP
D2-EC
D2-ASTRUM
D2-AVEO
L2-SOLO
L2-ECO-AIR
L2-ECO
L2-S300
L2-S600
L2-C600
Applied parts
Hygiene
Equipment+



Equipment
STANDARD

- Stainless-steel structure
- Comfort upholstery
- Low-noise chair movement with soft start and stop
- 5 chair positions can be stored
- Optional versions with short or long back rest
- Doctor's device on a swivelling arm with LED lamps
 - With integrated suction function or
 - Without integrated suction function



L2-ECO



Swivel ranges
by version:

- with assistant's device: 139°
- with cuspidor: 237°
- without cuspidor: 270°



Equipment
OPTIONAL

- Left and/or right arm rest
- Height-adjustable tray
- LED operating lamp
- Cuspidor as a stainless-steel column
 - Bottle care system or
 - Water treatment with water separation unit in accordance with EN 1717 and EN 7494-2*
- Extractable assistant's device with saliva ejector and spray mist suction
- 3-function syringe in the assistant's device
- 2nd saliva ejector in the assistant's device
- Integrated dry or wet suction system*

* Only available with cuspidor



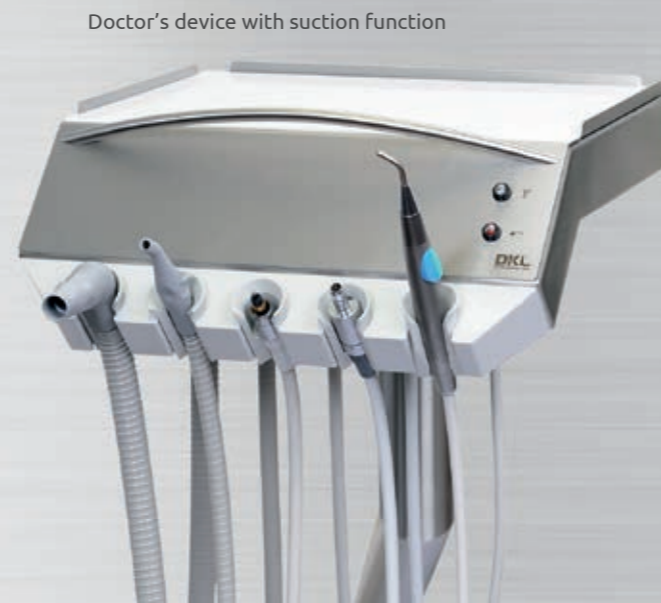
Wired foot controller

Option: extractable assistant's device

CONFIGURATION
at the L2-ECO doctor's device

| Page | Available | Applied part |
|---------|-----------|-----------------------------|
| 34 / 35 | - | Touchscreen |
| 30 | • | Standard turbine connection |
| 31 | - | Advanced-Air turbine |
| 30 | • | EM-12 L micromotor |
| 33 | - | Piezo scaler |
| - | • | 3-function syringe |
| 32 | - | Implantmed |
| - | •* | Saliva ejector |
| - | •* | Spray mist suction |

* Only available for doctor's device with suction function.
See photo on the right:



Doctor's device with suction function



Doctor's device without suction function





Equipment
STANDARD

- Stainless-steel structure
- Comfort upholstery
- Low-noise chair movement with soft start and stop
- 5 chair positions can be stored
- Optional versions with short or long back rest
- Doctor's device with LED-display on a swivelling arm with integrated suction system
- Wireless foot controller

L2-S300



Equipment
OPTIONAL

- Left and/or right arm rest
- Height-adjustable tray
- LED operating lamp
- Cuspidor as a stainless-steel column
 - Bottle care system or
 - Water treatment with water separation unit in accordance with EN 1717 and EN 7494-2*
- Integrated dry or wet suction system*

* Only available with cuspidor



CONFIGURATION

at the L2-S300 doctor's device

| Page | Available | Applied part |
|---------|-----------|-----------------------------|
| 34 / 35 | • | Touchscreen |
| 30 | • | Standard turbine connection |
| 31 | • | Advanced-Air turbine |
| 30 | • | EM-12 L micromotor |
| 33 | • | Piezo scaler |
| - | • | 3-function syringe |
| 32 | - | Implantmed |
| - | • | Saliva ejector |
| - | • | Spray mist suction |



Wireless foot controller



Swivel ranges:
With cuspidor: 237°,
Without cuspidor: 270°



Equipment **STANDARD**

- Stainless-steel structure
- Comfort upholstery
- Low-noise chair movement with soft start and stop
- 5 chair positions can be stored
- Optional versions with short or long back rest
- Doctor's device with touchscreen on a swivelling arm
- Wireless foot controller



Surgical unit
Info on page 32

L2-S600



Equipment **OPTIONAL**

- Left and/or right arm rest
- Height-adjustable tray
- LED operating lamp
- Cuspidor as a stainless-steel column
 - Bottle care system or
 - Water treatment with water separation unit in accordance with EN 1717 and EN 7494-2*
- Extractable assistant's device with saliva ejector and spray mist suction
- 3-function syringe in the assistant's device
- 2nd saliva ejector in the assistant's device
- Integrated dry or wet suction system*

* Only available with cuspidor



Option: extractable assistant's device

CONFIGURATION at the L2-S600 doctor's device

| Page | Available | Applied part |
|---------|-----------|-----------------------------|
| 34 / 35 | • | Touchscreen |
| 30 | • | Standard turbine connection |
| 31 | • | Advanced-Air turbine |
| 30 | • | EM-12 L micromotor |
| 33 | • | Piezo scaler |
| - | • | 3-function syringe* |
| 32 | • | Implantmed |

* Mounted optionally on left or right side



Wireless foot controller





Equipment **STANDARD**

- Stainless-steel structure
- Comfort upholstery
- Low-noise chair movement with soft start and stop
- 5 chair positions can be stored
- Optional versions with short or long back rest
- Doctor's device with touchscreen on a freely movable base
- Wireless foot controller



Surgical unit
Info on page 32

L2-C600



Equipment **OPTIONAL**

- Left and/or right arm rest
- Height-adjustable tray
- LED operating lamp
- Cuspidor as a stainless-steel column
 - Bottle care system or
 - Water treatment with water separation unit in accordance with EN 1717 and EN 7494-2*
- Extractable assistant's device with saliva ejector and spray mist suction
- 3-function syringe in the assistant's device
- 2nd saliva ejector in the assistant's device
- Integrated dry or wet suction system*

* Only available with cuspidor



Option: extractable assistant's device

CONFIGURATION at the L2-C600 doctor's device

| Page | Available | Applied part |
|---------|-----------|-----------------------------|
| 34 / 35 | • | Touchscreen |
| 30 | • | Standard turbine connection |
| 31 | • | Advanced-Air turbine |
| 30 | • | EM-12 L micromotor |
| 33 | • | Piezo scaler |
| - | • | 3-function syringe* |
| 32 | • | Implantmed |

* Mounted optionally on left or right side



Wireless foot controller



EM-12 L MICROMOTOR



Speed
Restoration, prosthetics and prophylaxis 1.000 - 40.000 rpm
Endodontics 100 - 8.000 rpm

In cooperation with W&H
Dentalwerk Bürmoos GmbH

The brushless EM-12 L ELECTRIC MOTOR impresses by its functionality and convenience with an ideal weight distribution.

It is particularly quiet, small and surprisingly light. The EM-12 L lies optimally in your hand and scores with its constantly high torque, its extras such as LED technology, long service life and smooth running.



Original size

OPTIMAL TREATMENT RESULTS WITH A WIDE RANGE OF APPLICATIONS: PREPARATION, EXCAVATION, POLISHING AND ENDO-FUNCTION

- + Wide speed range with constantly high torque.
- + Integrated endo function and electronic torque control minimize the risk of file breakage.
- + LED-light integrated in the micromotor for precise illumination of the treatment area.
- + ISO 3964 short coupling for all common straight and contra-angle handpieces (including short editions).
- + Sensor-controlled drive technology for particularly low-noise and largely vibration-free operation.
- + Simple sterilisation.

STANDARD TURBINE CONNECTION



The STANDARD 6-HOLE TURBINE CONNECTION can be supplemented via coupling systems with:

- Air motor
- Turbine
- Air scaler
- Prophylaxis mobile device

ADVANCED-AIR TURBINE



primea
advanced air

In cooperation with W&H
Dentalwerk Bürmoos GmbH

The PRIMEA ADVANCED-AIR SYSTEM is the world's first air-powered dental high-speed drive solution.

Due to the adjustable instrument speed, cavities, for example, can be opened easily and without speed loss, old fillings can easily be removed and even crowns and bridges can be separated with ease.

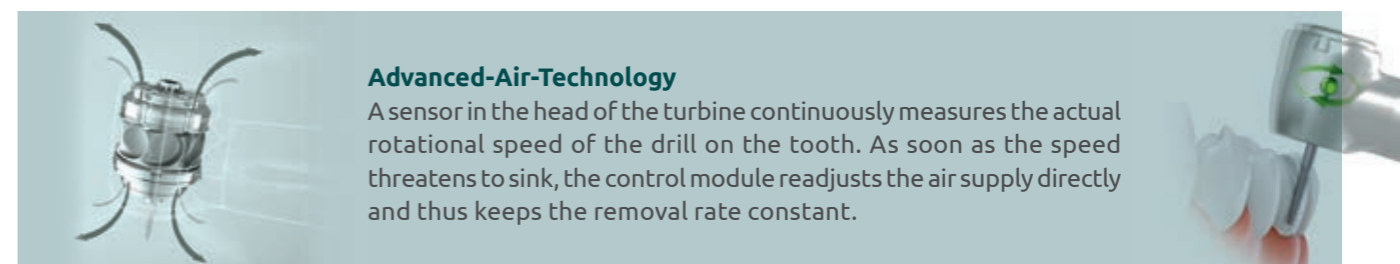
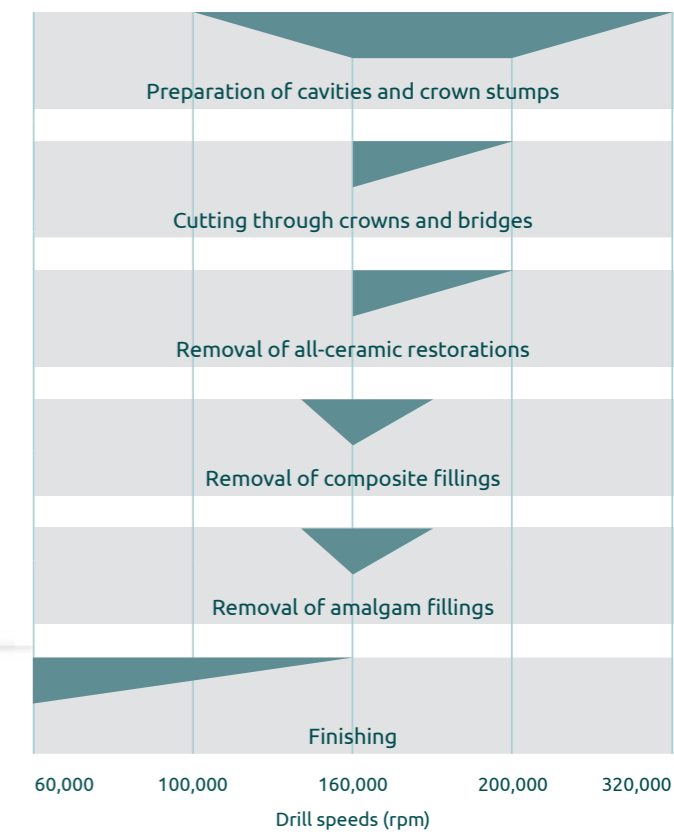
BENEFIT FROM ALL THE ADVANTAGES OF A TURBINE COMBINED WITH THE STRENGTHS OF AN ELECTRIC MOTOR:

- + Maximum control
- + Constant removal rate under increasing contact pressure due to perfected power regulation
- + Adjustable drill speed from 60,000 to 320,000 rpm



- + Optimum cooling of the drill tip by five spray nozzles.
- + Patented hygiene head system: No aspiration of aerosol particles during the rotor run-out thanks to circulating air in the turbine head.

OPTIMUM SPEED RANGES IN THE COMPREHENSIVE SPECTRUM OF APPLICATIONS



Advanced-Air-Technology

A sensor in the head of the turbine continuously measures the actual rotational speed of the drill on the tooth. As soon as the speed threatens to sink, the control module readjusts the air supply directly and thus keeps the removal rate constant.

D2-SOLO
D2-PROPHY-LAXIS
D2-EP
D2-EC
D2-ASTRUM
D2-AVEO
L2-SOLO
L2-ECO-AIR
L2-ECO
L2-S300
L2-S600
L2-C600
Applied parts
Hygiene
Equipment+

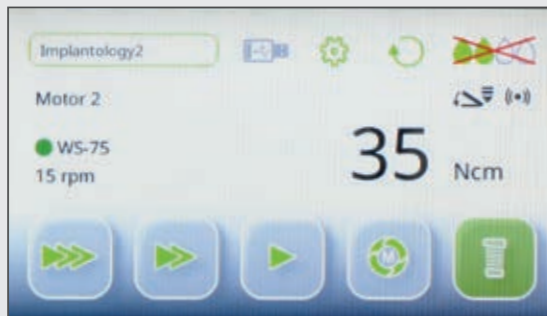


The IMPLANTMED drive unit was specially developed for oral surgery and dental implantology.

With IMPLANTMED, oral surgical procedures in the fields of implantology, oral and maxillofacial surgery can be performed safely and with maximum precision. The drive unit convinces with its automatic threadcutting function and its automatic torque control and thus creates treatment safety.



In cooperation with W&H Dentalwerk Bürmoos GmbH



+ INTUITIVE OPERATING CONCEPT

with programmes that can be personalised; the most important functions for up to six surgeons of a practice are shown on the display. All programmes can be easily selected by pressing the buttons on the device or by means of the foot controller.

+ SAFE SCREWING-IN

The necessary safety is provided by the automatic torque control in an ultra-short and powerful micromotor which can be adjusted from 5 to 80 Ncm.

+ STRESS-FREE HEALING

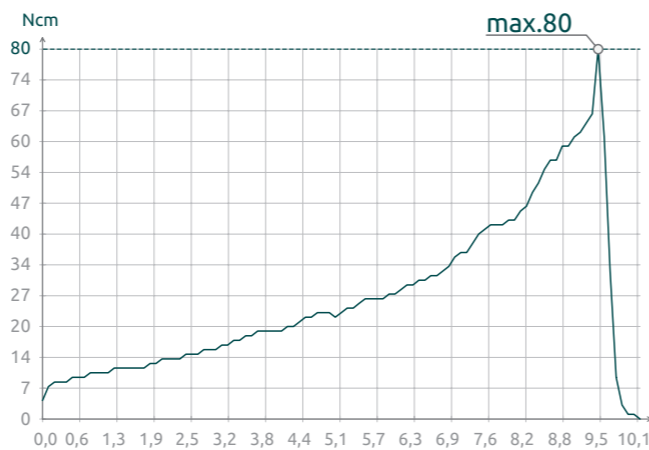
The automatic thread-cutting function supports you when placing implants in hard bone and ensures stress-free healing. Compression on the bone is avoided.

+ OPTIMAL COOLING

Pump for safe and fast insertion of the coolant hose.

+ SIMPLE STERILISATION

Motor with cable – can be sterilised and thermodisinfectated



Example: torque diagram for implant-setting

+ COMPREHENSIVE DOCUMENTATION

With the documentation function you can conveniently save the treatment parameters as a PDF or .csv file on a USB-key.

The memory function includes:

- Date
- Documentation ID
- Tooth position
- Thread-cutting
- Torque diagram for implant-setting

Thanks to its infinitely variable power regulation, the PROXEO ULTRA PB-5 L PIEZO SCALER can be easily adjusted for your respective application and tip.

From prophylaxis and periodontics to implant preservation or endodontics to the micro-preparation of restorations - its application possibilities are many and varied.



In cooperation with W&H Dentalwerk Bürmoos GmbH

In daily use, the PROXEO ULTRA convinces by its broad range of applications:

SCALING



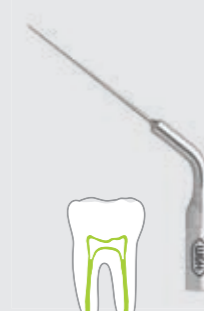
PARO



RESTORATION



ENDO



+ PERFECT ILLUMINATION

Ultra-bright illumination of the treatment area by five-ring LED

+ SAFE TIP CHANGE

The tip changer with integrated torque control avoids overtightening and enables easy and safe tip changing. (Tips are available from W&H, EMS and Acteon. A handpiece with a Satelec thread is also available.)

+ PERFECT BALANCE

An ergonomically shaped and lightweight handpiece ensures perfect balance and safe working without any symptoms of fatigue.

+ PATIENTS WITH PACEMAKERS

According to an independent study by the Technical University of Graz, the new ProxEO Ultra Scaler can be used without hesitation on patients with cardiac pacemakers. This ensures more safety - for the implantologists as well as for patients.

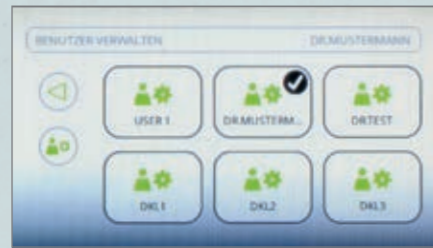
+ SIMPLE STERILISATION

The handpiece can be dismantled and cleaned easily, it is thermally disinfected and can be sterilised.

+ SIMPLE POWER REGULATION

At the touchscreen, the power can be easily adjusted to the respective application and tip.

D2-SOLO
 D2-PROPHY-LAXIS
 D2-EP
 D2-EC
 D2-ASTRUM
 D2-AVEO
 L2-SOLO
 L2-ECO-AIR
 L2-ECO
 L2-S300
 L2-S600
 L2-C600
 Applied parts
 Hygiene
 Equipment+



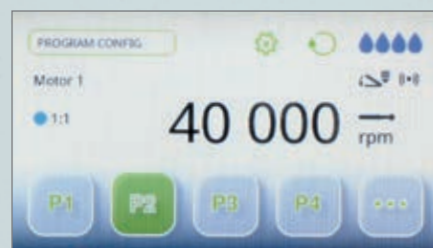
PERSONALISED USERS

Fit for your group practice:
Personalise your dental unit for several doctors in a group practice



MULTILINGUAL

Just select your language.



WORKFLOW

Concentration on the essentials. During the treatment, the display shows the most important functions.

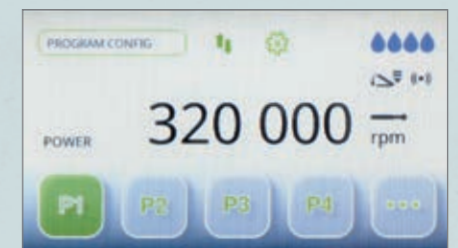
INTUITIVE OPERATING CONCEPT

The COLOUR TOUCHSCREEN with its glass surface enables simple and intuitive operation of the control unit. The glass surface is easy to clean. By wipe disinfection you ensure safety in the treatment area.



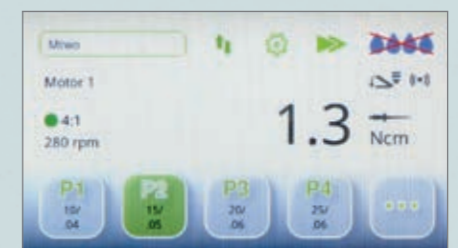
SURGERY

IMPLANTMED - integrated especially for oral surgery and dental implantology.



HIGHSPEED UNDER CONTROL

Open cavities effortlessly with the Advanced-Air turbine, separate crowns and bridges with ease, remove old fillings in no time at all and finish preparation margins with the highest precision.



ENDODONTICS

The EM-12 L micromotor is equipped with an electronic torque control system. The following file programmes are stored in the system: Sendline S5, Sendline NiTi-TEE, Comet F360, Comet F6 SkyTaper, VDW Mtwo and Dentsply Pro Taper. You can easily create your own file programmes.

D2-RANGE

With the D2-range, perfect balance of elegant design meets outstanding comfort. The ergonomically combined movement of seat and back rest allows to move the patient comfortably into the treatment position. The comfort soft upholstery additionally ensures a relaxed lying position - especially during longer treatments.



L2-RANGE

The entire L2-range is designed for work on horizontally positioned patients. Whether your patients are short or tall - this is the right place for them! In combination with the freely movable double-jointed head rest and the maximum legroom this range enables you to work ergonomically, especially in orthodontics.



+ Comfort Soft Upholstery

With an extensive selection of over 60 colours, your treatment room becomes an eye-catcher.



+ Double-jointed head rest

The head inclination is infinitely adjustable.

+ Automatically folding leg rest for easy entry and exit of the patient.



+ Optimal working posture thanks to sufficient legroom

+ Back rests in different sizes

Long version: 59 cm
Short version: 47 cm

Can be selected for the following treatment chairs:

| Model | Page |
|------------|---------|
| L2-S300 | 24 - 25 |
| L2-S600 | 26 - 27 |
| L2-C600 | 28 - 29 |
| L2-SOLO | 18 - 19 |
| L2-ECO-AIR | 22 - 21 |
| L2-ECO | 22 - 23 |



AUTOMATIC FLUSHING

Flushing the water lines for the instruments is particularly safe and time-saving. The "Normal" and "Intensive" programmes ensure perfect water quality. The constant supply with DK-DOX 150 prevents the spread of microorganisms during normal operation.



HYGIENE COVER

For regular cleaning of the water lines, the instrument hoses are simply inserted into the hygiene cover. With the command "Normal flushing" the instruments are flushed in accordance with RKI after 120 seconds. After prolonged periods of inactivity, the "Intensive flushing" function ensures perfect water quality.



EASY FILLING OF THE DOSING UNIT

The integrated and low-maintenance water separation unit meets the requirements of EN1717 and is intrinsically safe according to the German DVGW Worksheet W540. The dosing unit can be quickly and safely refilled with DKDOX 150.



BOTTLE CARE SYSTEM

As an alternative to the water separation unit, the easily accessible and maintenance-free Bottle Care System can be used in the L2-range. The bottle supplies the instruments with coolant and meets the requirements of EN 1717.



DISINFECTION

The surfaces are smooth; they are easy to clean and disinfect.


Our materials reflect the clinically clean condition of your practice and thus provide a high level of practice hygiene. The smooth stainless-steel and glass surfaces retain their good looks, even after years of intensive use. Bacteria do not find a breeding ground. The robust and inert stainless-steel surfaces have proven to meet the highest requirements. It is the combined resistance to chemical and mechanical stress that guarantees lasting quality, hygiene and aesthetics.



CARE AND DISINFECTION PRODUCTS

Our special care and disinfection products ensure optimal hygiene and care.

INSTRUMENT HOLDER

 All instrument holders can be removed and sterilised to ensure protection against cross-contamination.



LED OPERATING LAMP

The dimmable operating lamp enthruses by its light intensity (8,000-50,000 LUX with a colour temperature of 5,000 Kelvin) and its even light field.

- The handles can be removed for sterilisation.
- The operating lamp has a mirror which can be turned if necessary.



HEIGHT-ADJUSTABLE TRAY

The extremely flat and freely positionable storage offers room for two standard trays. It can carry a load of up to two kg.



WASTE RECEPTACLE HOLDER

The holder at the tray is a handy accessory for storing a waste receptacle.



ARM RESTS L2-RANGE

ARM RESTS D2-RANGE

The arm rests on the doctor's or the assistant's side are foldable.





MONITOR

An "all-in-one PC" with a 22-inch touchscreen can be adapted. On request, the swivelling holder is supplied with VESA standard 22 inch. It can be used for the adaptation of medically approved monitors.



CAMERA HOLDER

The holder at the doctor's device is a handy accessory for the storage of a wireless intraoral camera.



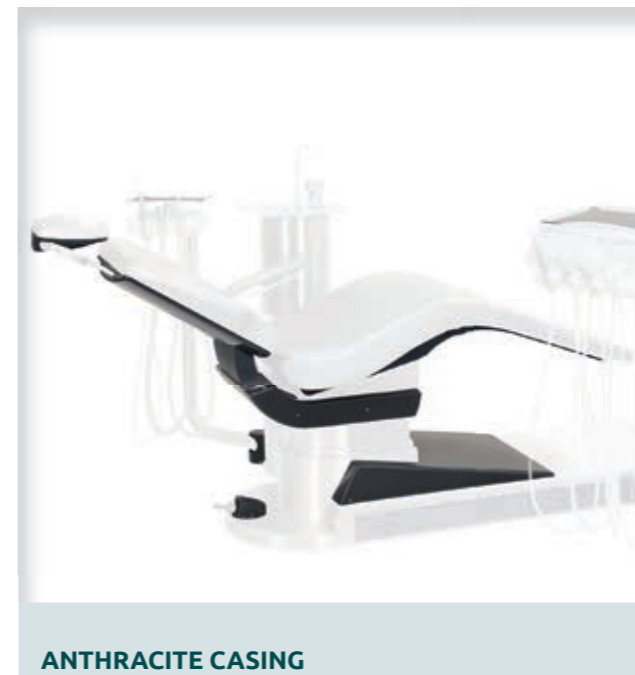
SAND BLASTER

The doctor's devices of the L2-range can be equipped with an adjustable air connection (up to 5.5 bar) and a rapid action hose coupling for a sand blaster. Additionally, a flexible holder for the sand blaster can be attached to the doctor's device.



COOLANT PUMP

An integrated saline solution pump is available for the models D2-EP, D2-EC, D2-ASTRUM, D2-AVEO, L2-C600 and L2-S600.



ANTHRACITE CASING



WHITE CASING

DOCTOR'S / ASSISTANT'S CHAIR

The doctor's / assistant's chair with manual release has an anatomically shaped seat edge for a good sitting position. The swivelling back rest can also be used as an arm rest. The chair is available in two heights: 54-73 cm and 46-58 cm.



EXTERNAL DEVICE CONNECTIONS



Optionally, external device connections can be integrated in the chair base (L2-range) or in the cuspidor (D2-range).

COLOUR COLLECTIONS

All our collections are characterized by a skin-friendly coating, are impermeable to water and disinfected as well as biocompatible according to EN ISO 10993.



TRENDLINE
Smooth, partially glossy surface



PROLINE
Leather-like surface

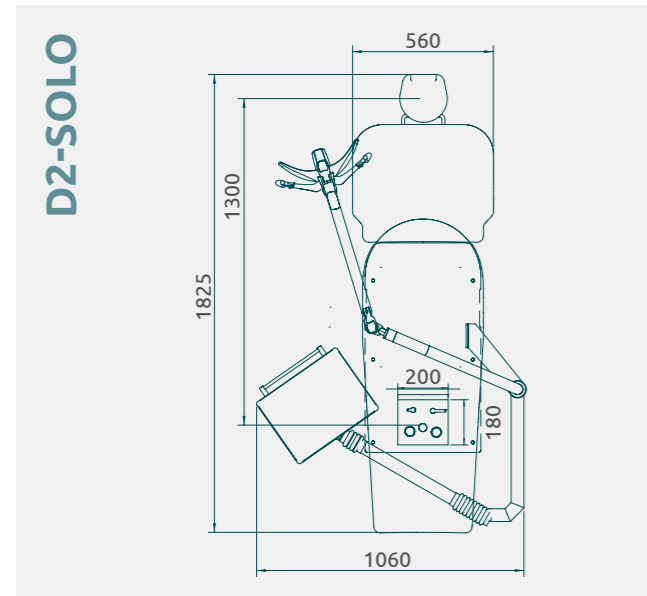


FASHIONLINE
Slightly structured surface

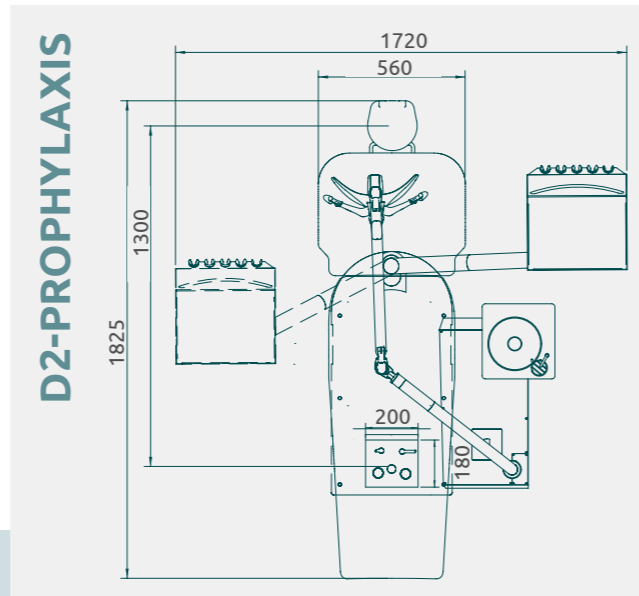


i A maximum patient load of 150 kg applies to all models of both ranges.

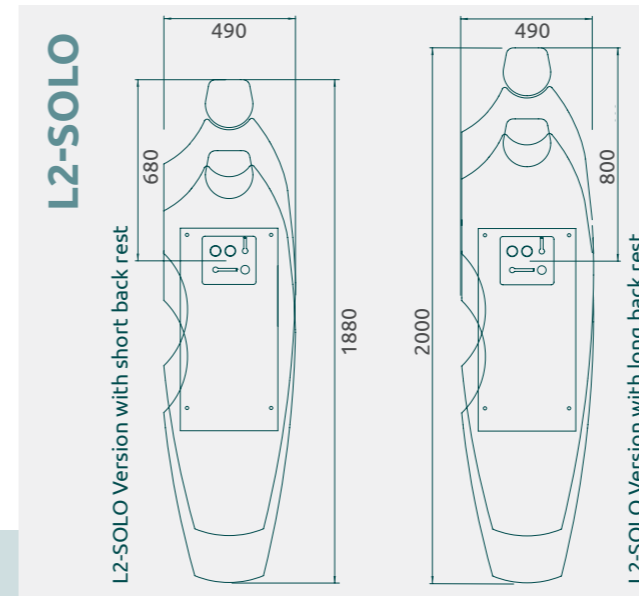
All sketches of the L2-range show the dimensions with long back rests. **i**
The two sketches of the L2-SOLO model offer an exemplary comparison between a long and a short back rest.



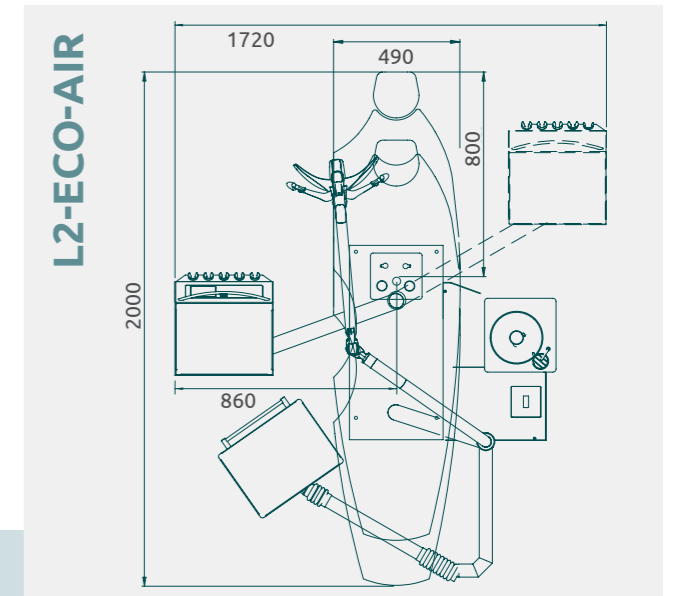
Lowest position: 395 mm Highest position: 730 mm



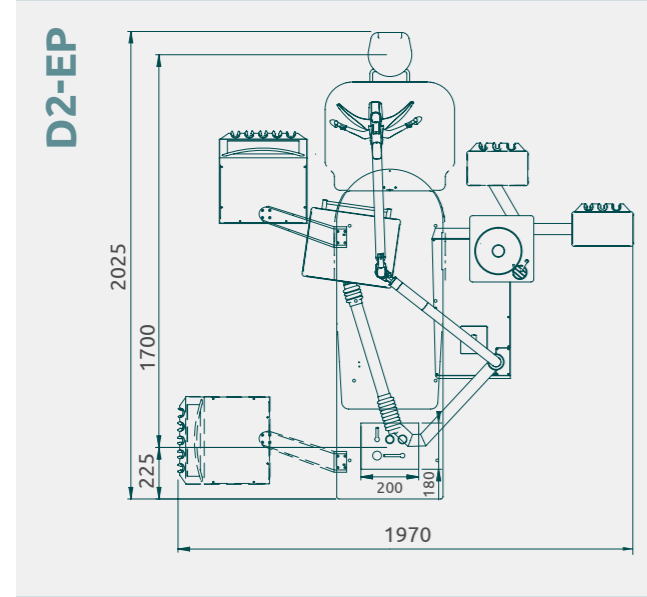
Lowest position: 395 mm Highest position: 730 mm



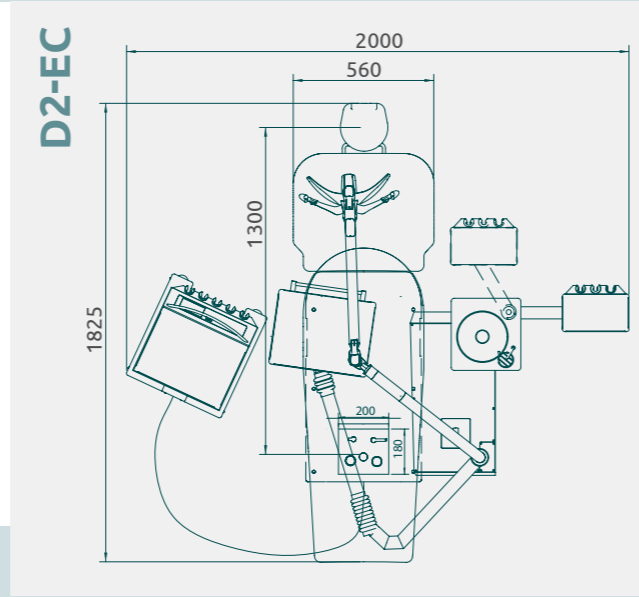
Lowest position: 570 mm Highest position: 800 mm



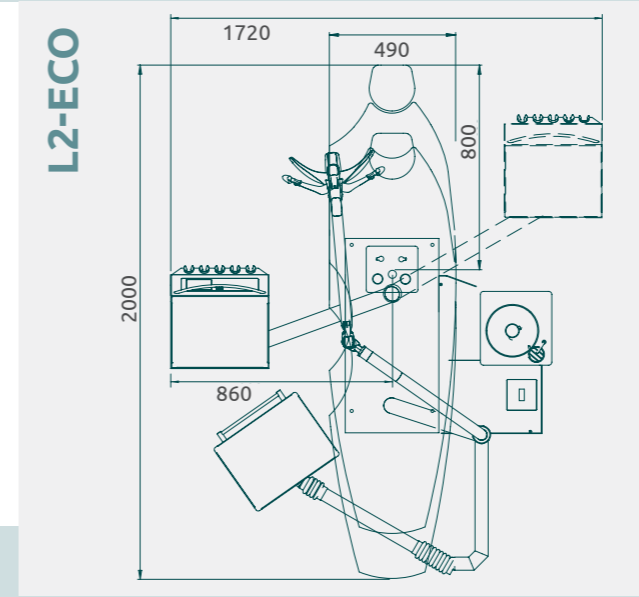
Lowest position: 570 mm Highest position: 800 mm



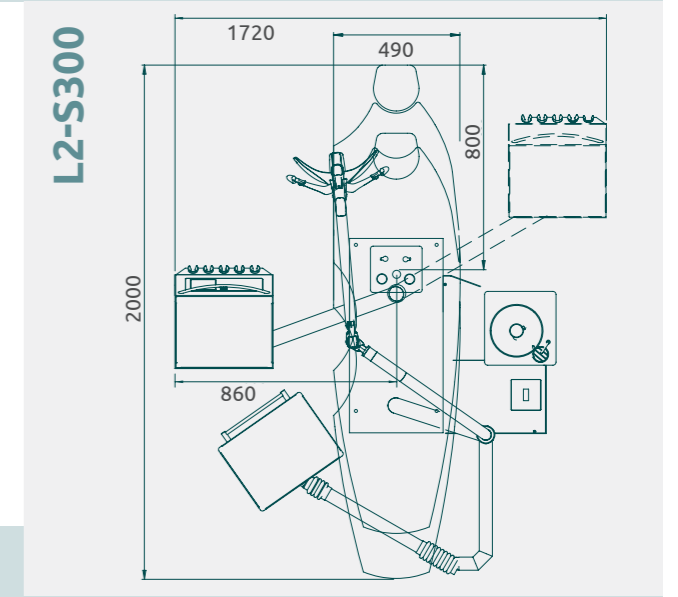
Lowest position: 395 mm Highest position: 730 mm



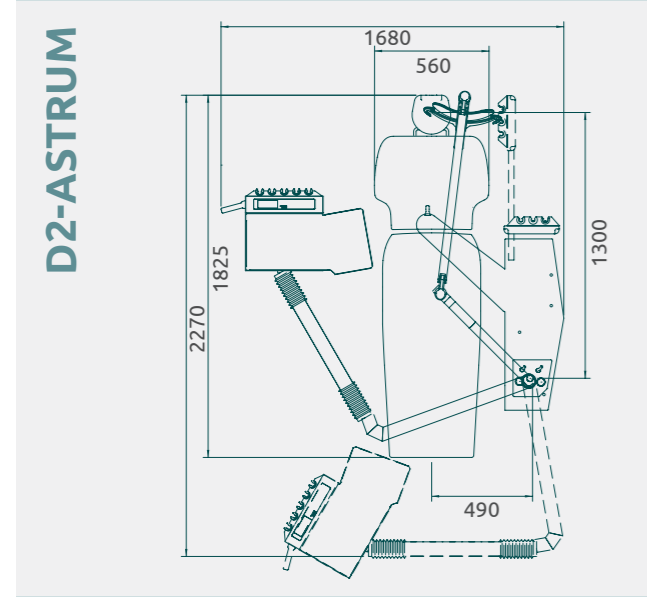
Lowest position: 395 mm Highest position: 730 mm



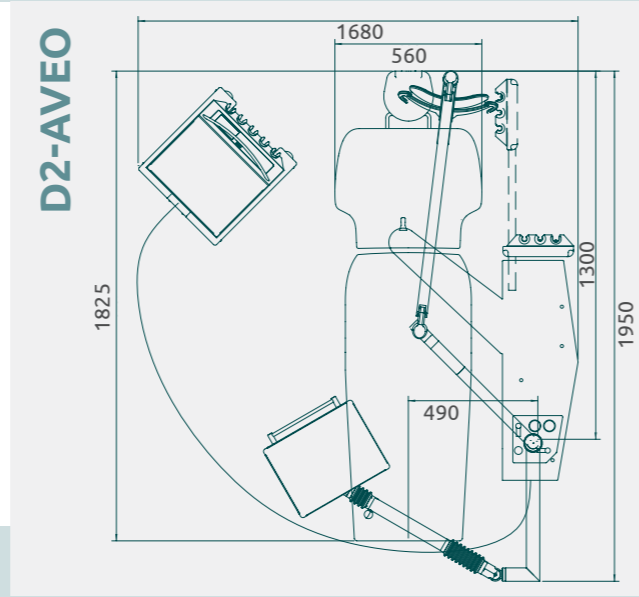
Lowest position: 570 mm Highest position: 800 mm



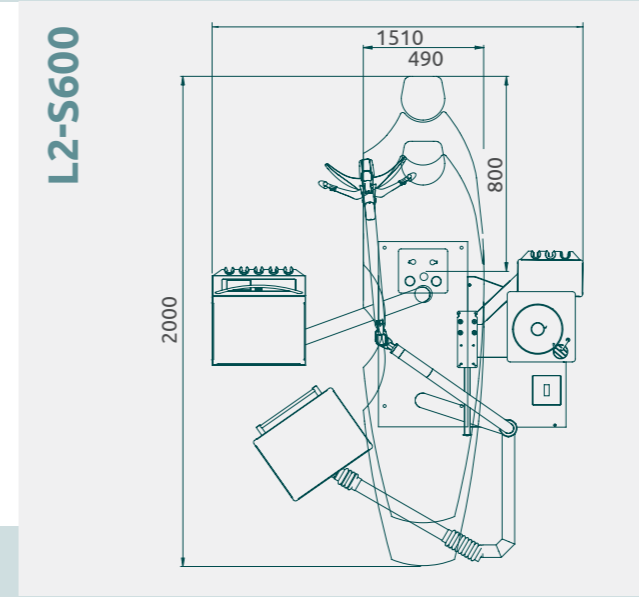
Lowest position: 570 mm Highest position: 800 mm



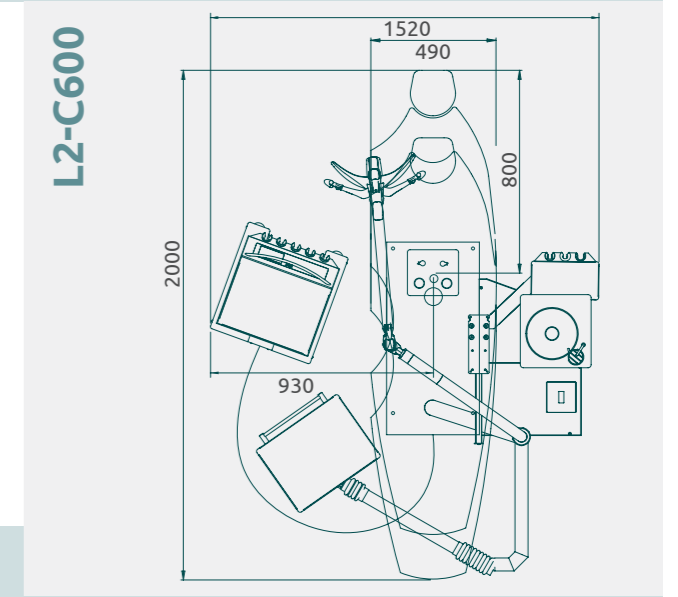
Lowest position: 370 mm Highest position: 880 mm



Lowest position: 370 mm Highest position: 880 mm



Lowest position: 570 mm Highest position: 800 mm



Lowest position: 570 mm Highest position: 800 mm



**PERFECT
BALANCE**

ELEGANT DESIGN



OUTSTANDING FUNCTIONALITY

DKL
YOUR DENTAL UNIT

DKL CHAIRS GmbH
An der Ziegelei 1 + 3
D-37124 Rosdorf
Germany

Tel.: +49 [0]551 5006-0
Fax: +49 [0]551 5006-296
E-Mail: info@dkl.de



DKLGERMANY

www.dkl.de